

No limit on the number
of installed devices

 *Idea Technos Inc.*

For nursing care facilities All-round nurse call

Individual self activation method for each corridor lamp

Controller unnecessary innovative nurse call system

CARE - CALL II

Data setting · No need to set the switch !

**Extremely low price,
long life and easy construction!**

Suitable for all nursing care facilities

Handy nurse call is usable Either a nurse call can talk or a simple nurse call can be used

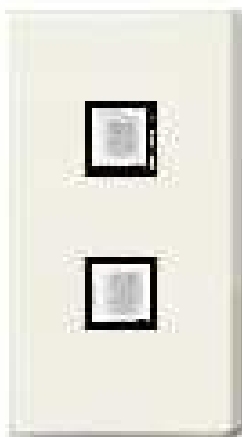
Do not use control device It operates with exclusive corridor lamp and power supply only

New multi-floor nurse call system

Corridor lights for a number of bed

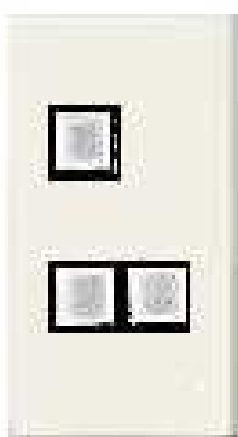
CC2 - AD2 - F※

CC2-AD2-F2



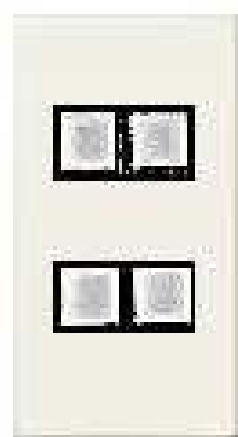
For 2 beds

CC2-AD2-F3



For 3 beds

CC2-AD2-F4



For 4 beds

Type operating in their own power

- ◆ Indication lamps prepared for each bed are individually lit up
- ◆ All alarm indicator lights have a return button individually
- ◆ An alarm can notify the PHS phone of the bed number

※ If you use it as a handy nurse and a calling type, you need a separate telephone facility.

It is an innovative product

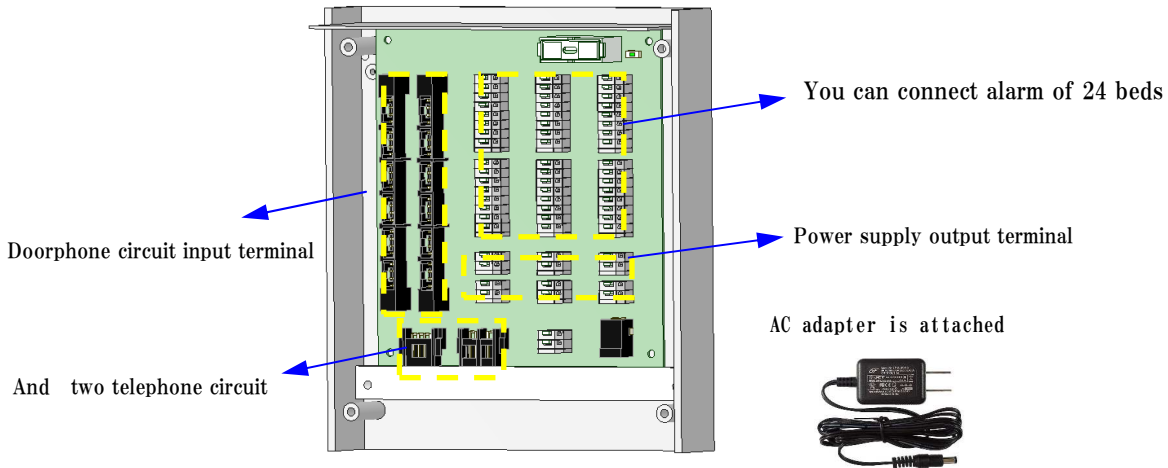
There is no limit on the quantity of equipment that can be used

It is supported for all nursing care facilities from small to large scale

★ A simple nurse call is a common reporting formulas and full-fledged nurse calls are reported individually

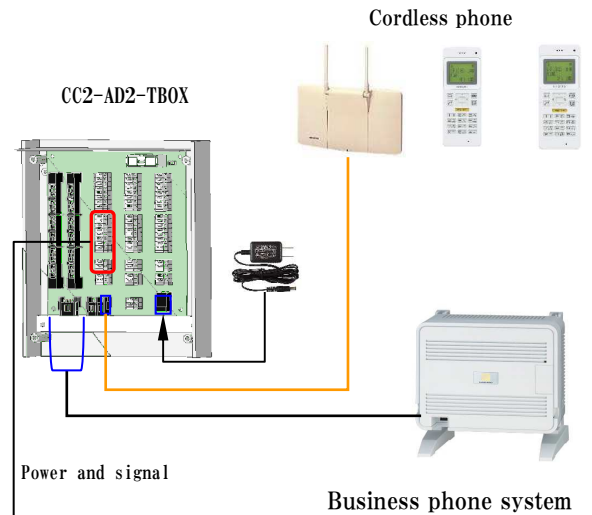
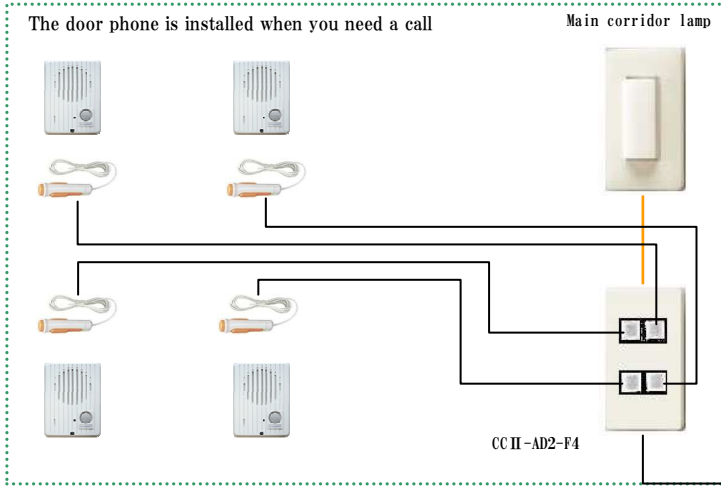
Simultaneous release Implement nurse call circuit 24

Relay box for 24 circuits **CC2-AD2-TBOX**



For Medium / Large Scale Nursing Care Facilities Example of use as a nurse call using a handy nurse call

Room with multiple beds



Alarm lamps and notifications can be made for each bed.

⚠ Notes When installing the equipment please follow the construction manual

◆ The described is as of July 2018.

◆ The color of the actual product may differ from the catalog.

◆ Specifications, appearance, prices are subject to change without notice.



Idea Technos Inc.

URL <http://www.idea-technos.co.jp>

E-mail info@idea-technos.co.jp

Tel : 029-248-0123 Fax : 029-248-0573

1561 Motodai-machi, Mito-shi, Ibaraki-ken, Japan 300-0835